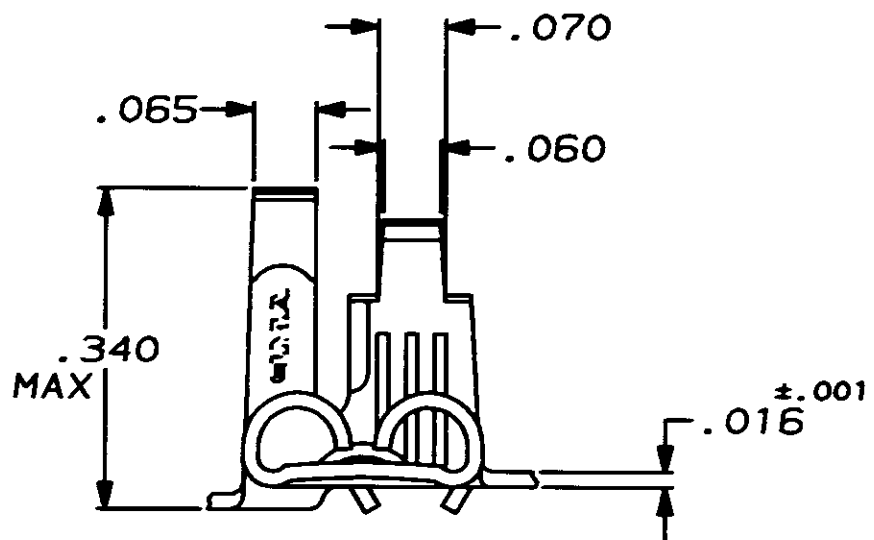
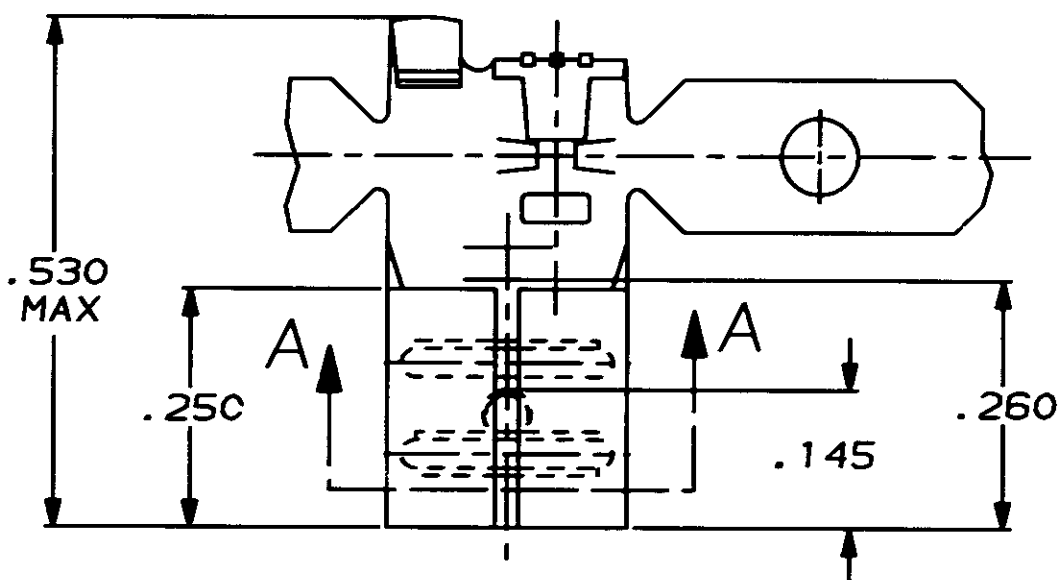
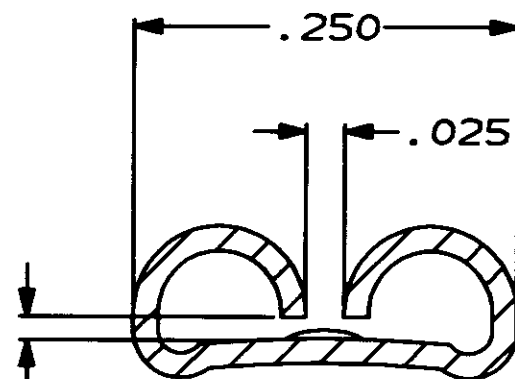


THIS DRAWING IS UNPUBLISHED. RELEASED FOR PUBLICATION , 19 .  
 © COPYRIGHT 19 BY AMP INCORPORATED. ALL INTERNATIONAL RIGHTS RESERVED.

LOC	DIST	P	F	REVISIONS				
				ZONE	LTR	DESCRIPTION	DATE	APPD
AF	50				C	REV PER 0012-93	3/1/93	JR/CM



- 1 CONTINUOUS STRIP ON REELS
- 2 FEED IS .650 ±.005.



FITS .205 SERIES FASTON TAB  
 SECTION A-A  
 SCALE 8:1

.110-.170	20-14	.020	62354-1		
INSULATION RANGE	WIRE SIZE	MATING TAB THK ±.001	PART NO		
DO NOT SCALE PRINT. UNLESS SPECIFIED DIMENSIONS ARE IN INCHES TOLERANCES ON: 2 PLC DEC ± - 3 PLC DEC ± .015 ANGLES ± -	DR 1/26/90 JR RUTH	<b>AMP</b> AMP INCORPORATED Harrisburg, Pa. 17105			
	CHK 1/26/90 NS FEMER				
	MATERIAL	APPD 1/26/90 C NEYERS	NAME RECEPTACLE, FASTON, FLAG, .205 SERIES		
	4M BRASS	APPD 1/26/90 R KUZD			
FINISH	PRODUCT SPEC	SIZE	CAGE CODE	DRAWING NO	
TIN	APPLICATION SPEC	<b>B</b>	00779	62354	
.000080 MIN	WEIGHT -	SCALE	5:1	SHEET	1 OF 1